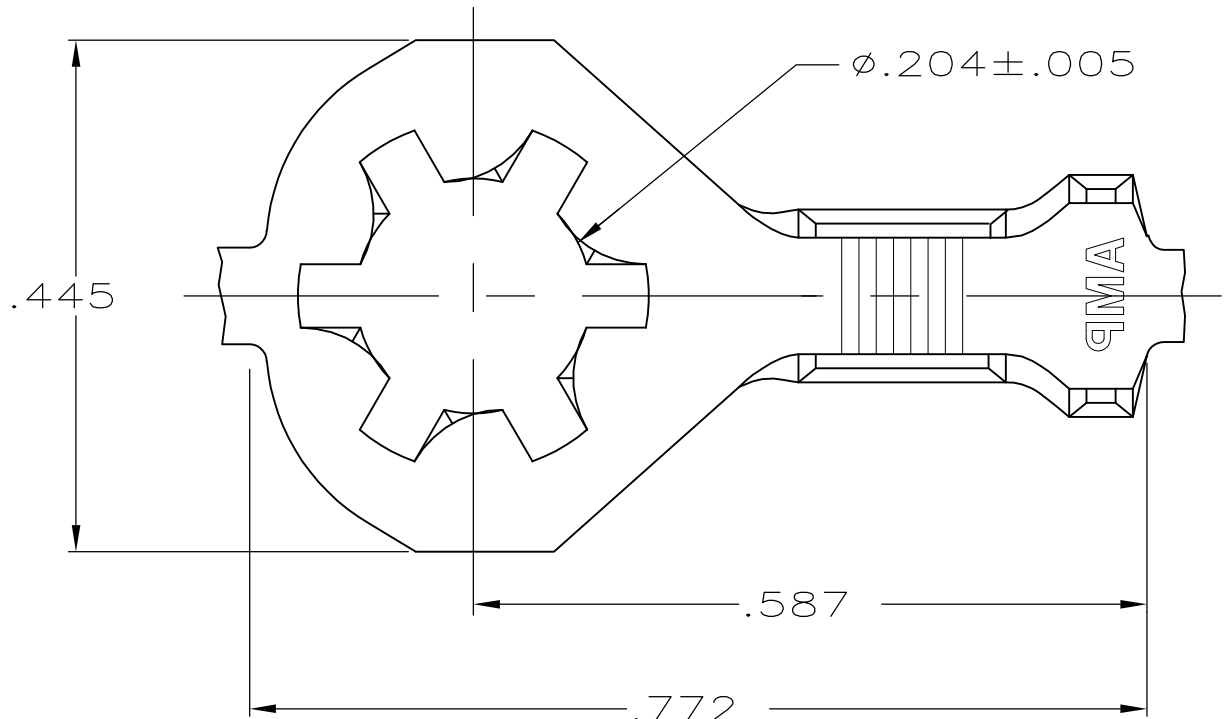
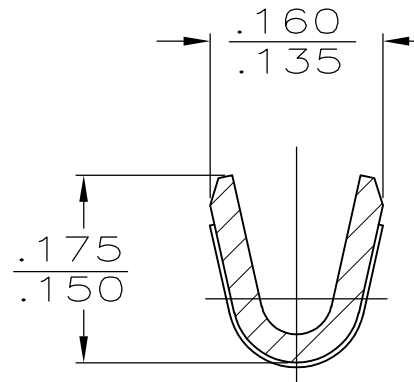


THIS DRAWING IS UNPUBLISHED. RELEASED FOR PUBLICATION
 © COPYRIGHT BY TYCO ELECTRONICS CORPORATION. ALL RIGHTS RESERVED.

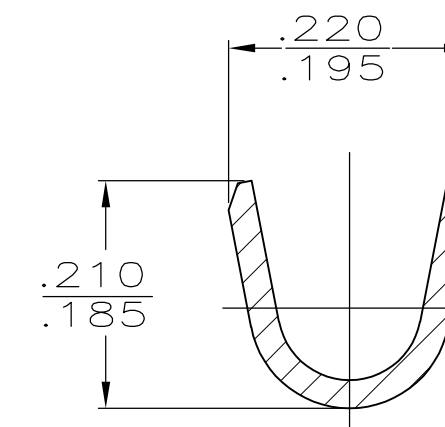
LOC	DIST	REVISIONS			
P	LTR	DESCRIPTION	DATE	DWN	APVD
AF	50	P1	REVISED PER ECR-07-014034	26JUN07	HMR DD



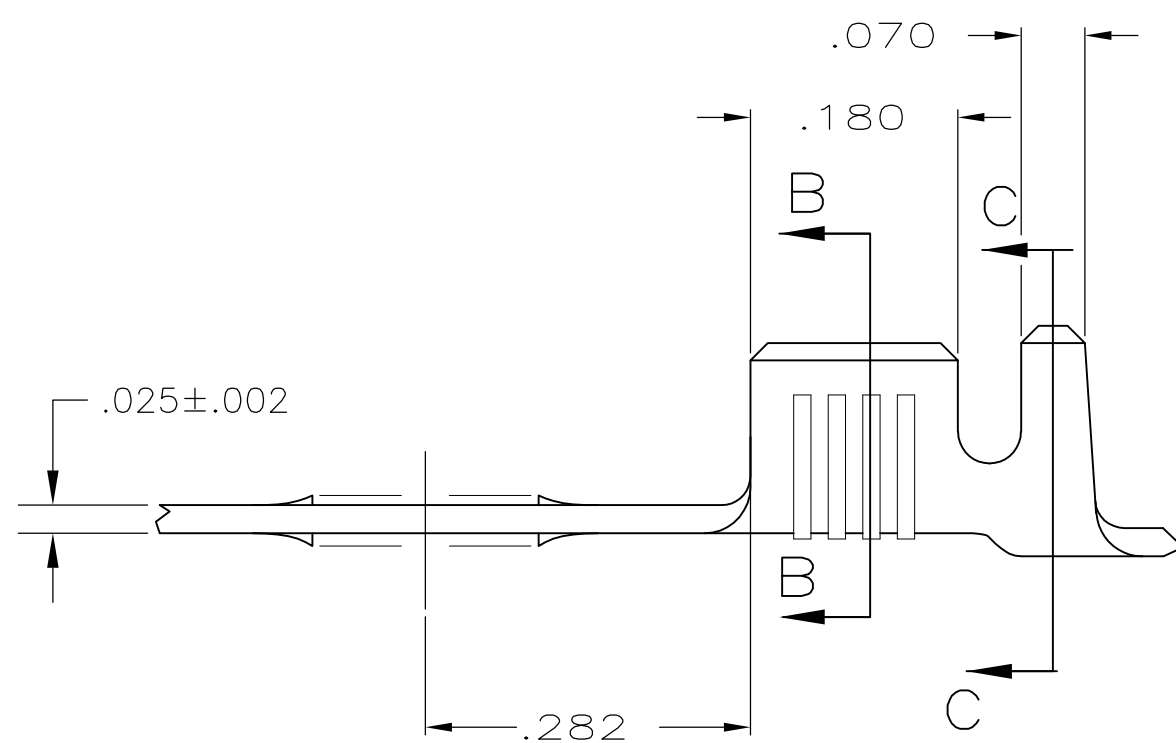
- 1 CONTINUOUS STRIP ON REELS
- 2 .000080 MIN TIN PER MIL-T-10727
- 3 WIRE SIZE IS #18-#14 AWG
- 4 INSULATION RANGE IS .105-.145 DIA
- 5 INTERLEAVING PAPER
- 6 PRELIMINARY - NOT FOR PRODUCTION



SECTION B-B



SECTION C-C



FINISH	MATERIAL	PART NO.
5	2 T2 STEEL	6 61795-7
	H04 BRASS	61795-6
	H04 BRASS	61795-3
		61795-2
	2 T2 STEEL	61795-1

THIS DRAWING IS A CONTROLLED DOCUMENT.		DWN 5/15/87 D HOLLINGSWORTH	Tyco Electronics Corporation Harrisburg, Pa 17105-3608	
DIMENSIONS: INCHES		CHK 11/23/87 G YETTER	NAME	
TOLERANCES UNLESS OTHERWISE SPECIFIED:		APVD 12/2/87 R FRANTZ	RING	
0 PLC ± -		PRODUCT SPEC	RESTRICTED TO	
1 PLC ± -		APPLICATION SPEC	SIZE	CAGE CODE
2 PLC ± -		WEIGHT	A3	00779
3 PLC ± .015		CUSTOMER DRAWING	DRAWING NO	C-61795
4 PLC ± -		SCALE	6:1	SHEET 1 OF 1
ANGLES ± -		REV	P1	
MATERIAL SEE TABLE	FINISH SEE TABLE			